

| | | | | |
|-------|---------------------|---|----------------------------------|---------------------|
| Dept. | Technical reference | Created by Panagiotis Fofilos | Approved by | |
| | | Document type | Document status | |
| | | Title KEDI AVIONICS BAY | | DWG No. |
| | | Rev. | Date of issue MAR 2024 | Sheet 1/3 |

1 2 3 4 5 6 7 8

A

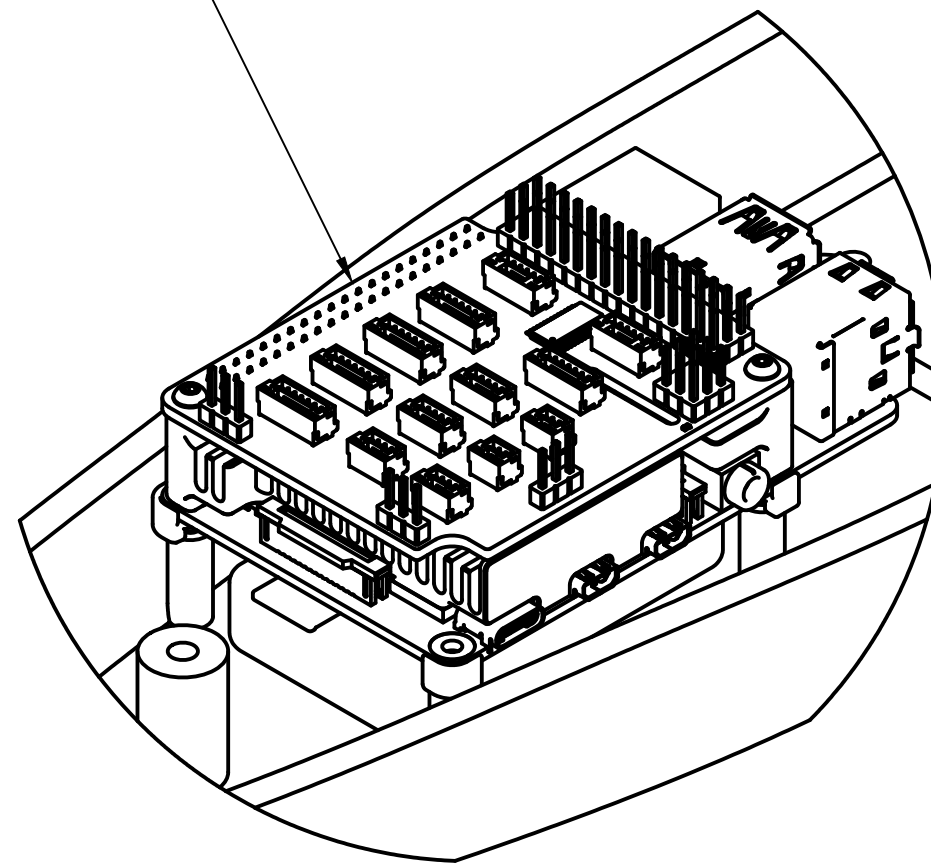
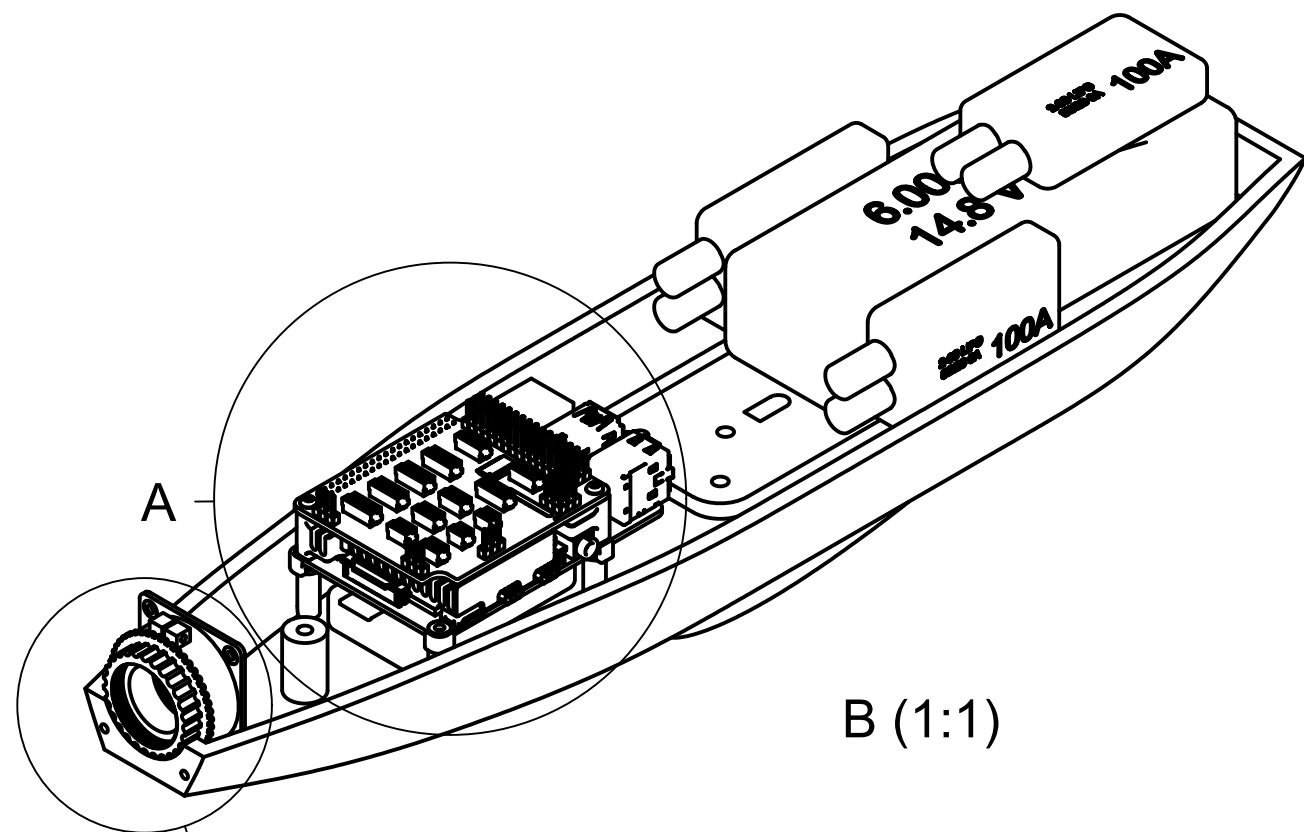
A

NAVIGATOR FLIGHT CONTROLLER
AND RASBERRY Pi4 ASSEMBLY

A (1:1)

B

B



C

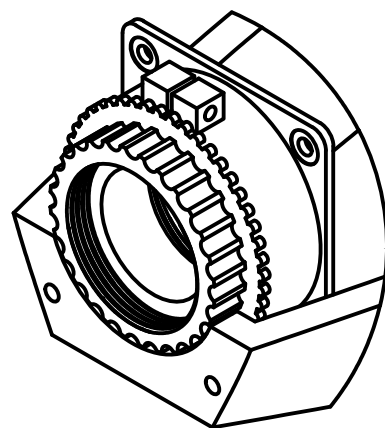
C

D

D

B (1:1)

RASBERRY Pi HQ CAMERA
ASSEMBLY



E

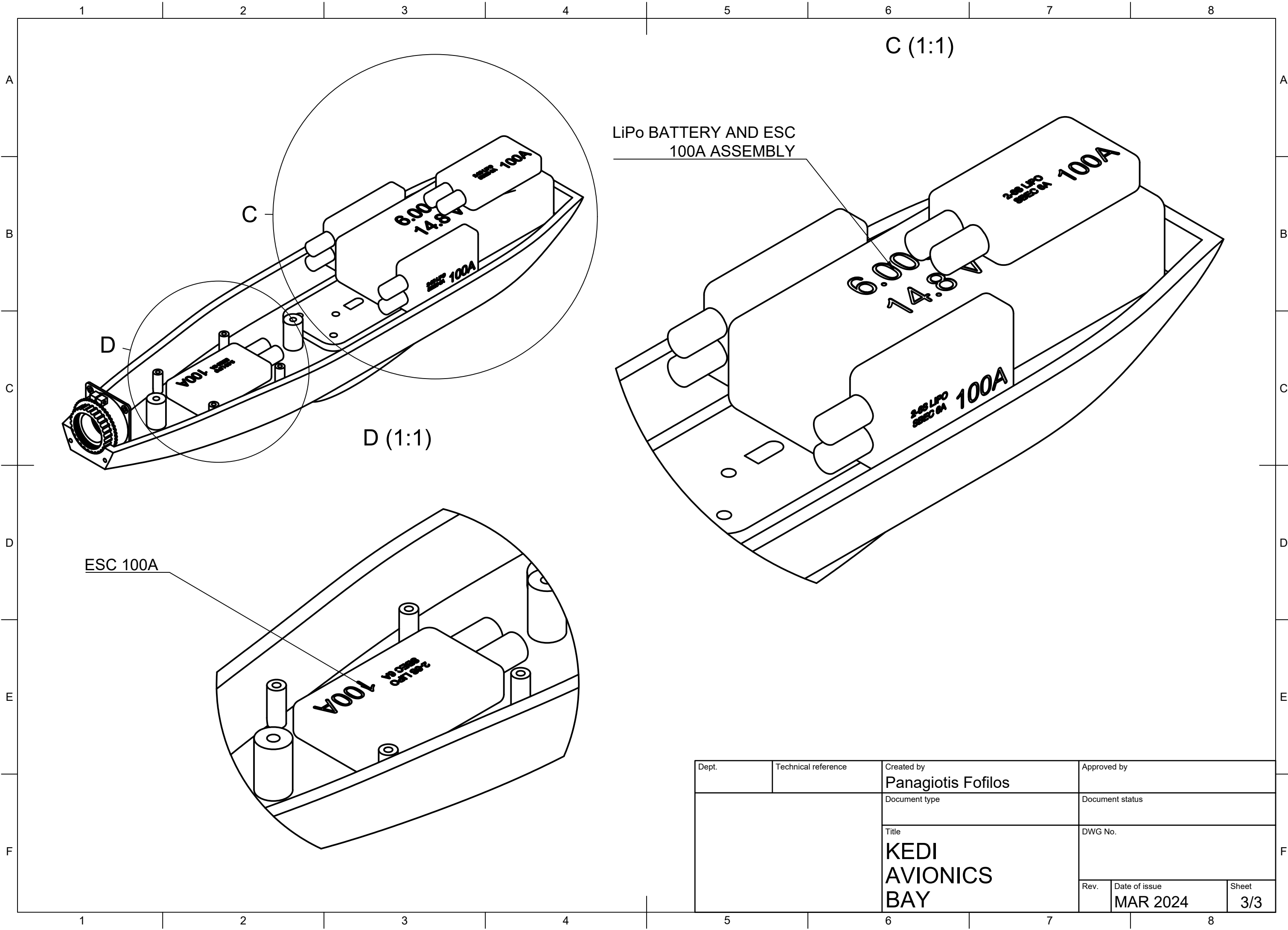
E

F

F

| | | | |
|-------|----------------------------------|---|-----------------|
| Dept. | Technical reference | Created by Panagiotis Fofilos | Approved by |
| | | Document type | Document status |
| | | Title KEDI AVIONICS BAY | DWG No. |
| Rev. | Date of issue MAR 2024 | Sheet 2/3 | |

1 2 3 4 5 6 7 8



LiPo BATTERY AND ESC
100A ASSEMBLY

C (1:1)

D (1:1)

ESC 100A

| | | | |
|-------|---------------------|---|---------------------|
| Dept. | Technical reference | Created by Panagiotis Fofilos | Approved by |
| | | Document type | Document status |
| | | Title KEDI AVIONICS BAY | DWG No. |
| | Rev. | Date of issue MAR 2024 | Sheet 3/3 |