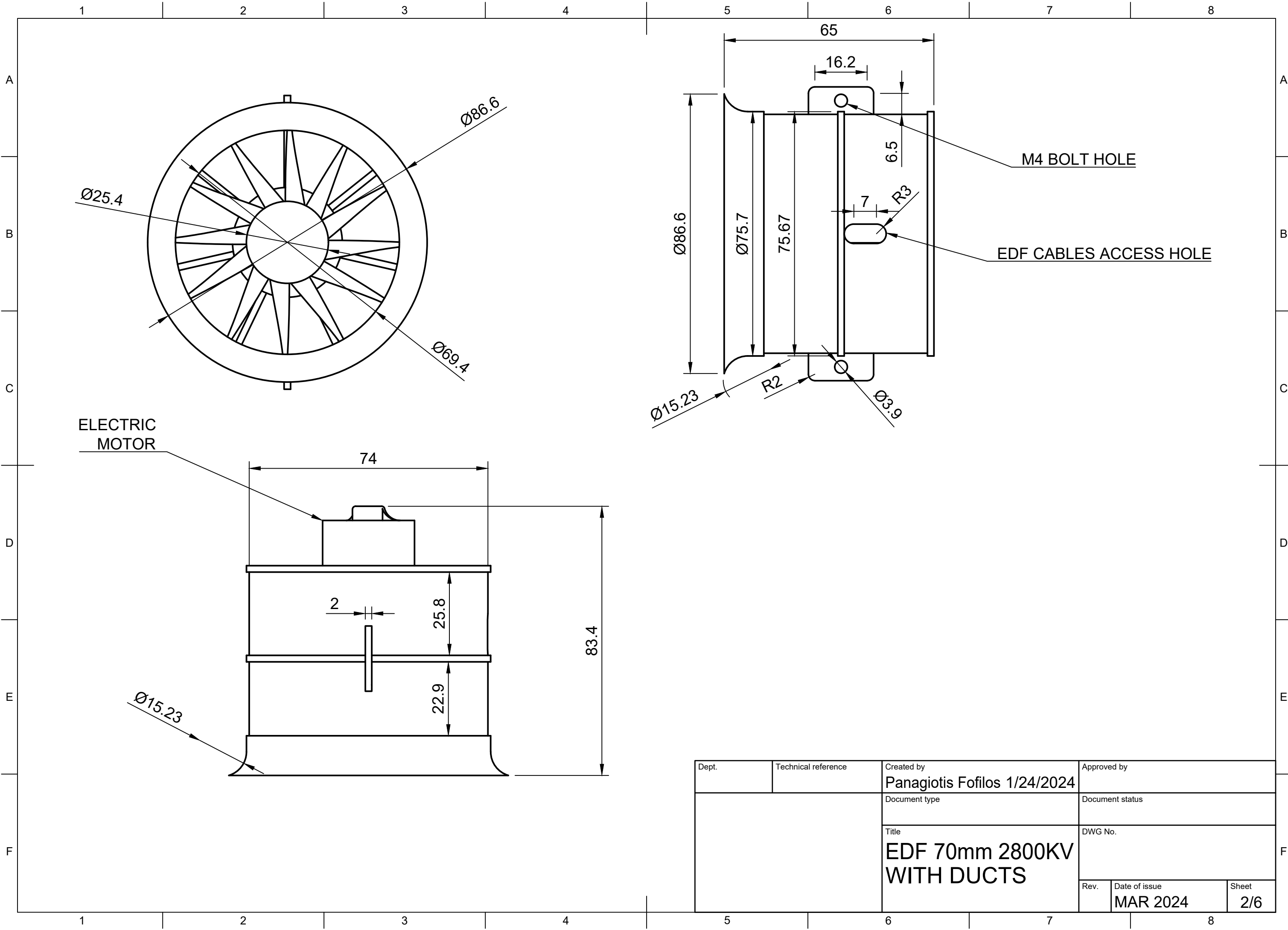


Dept.	Technical reference	Created by Panagiotis Fofilos 1/24/2024	Approved by	
		Document type	Document status	
		Title EDF 70mm 2800KV WITH DUCTS		DWG No.
		Rev.	Date of issue MAR 2024	Sheet 1/6

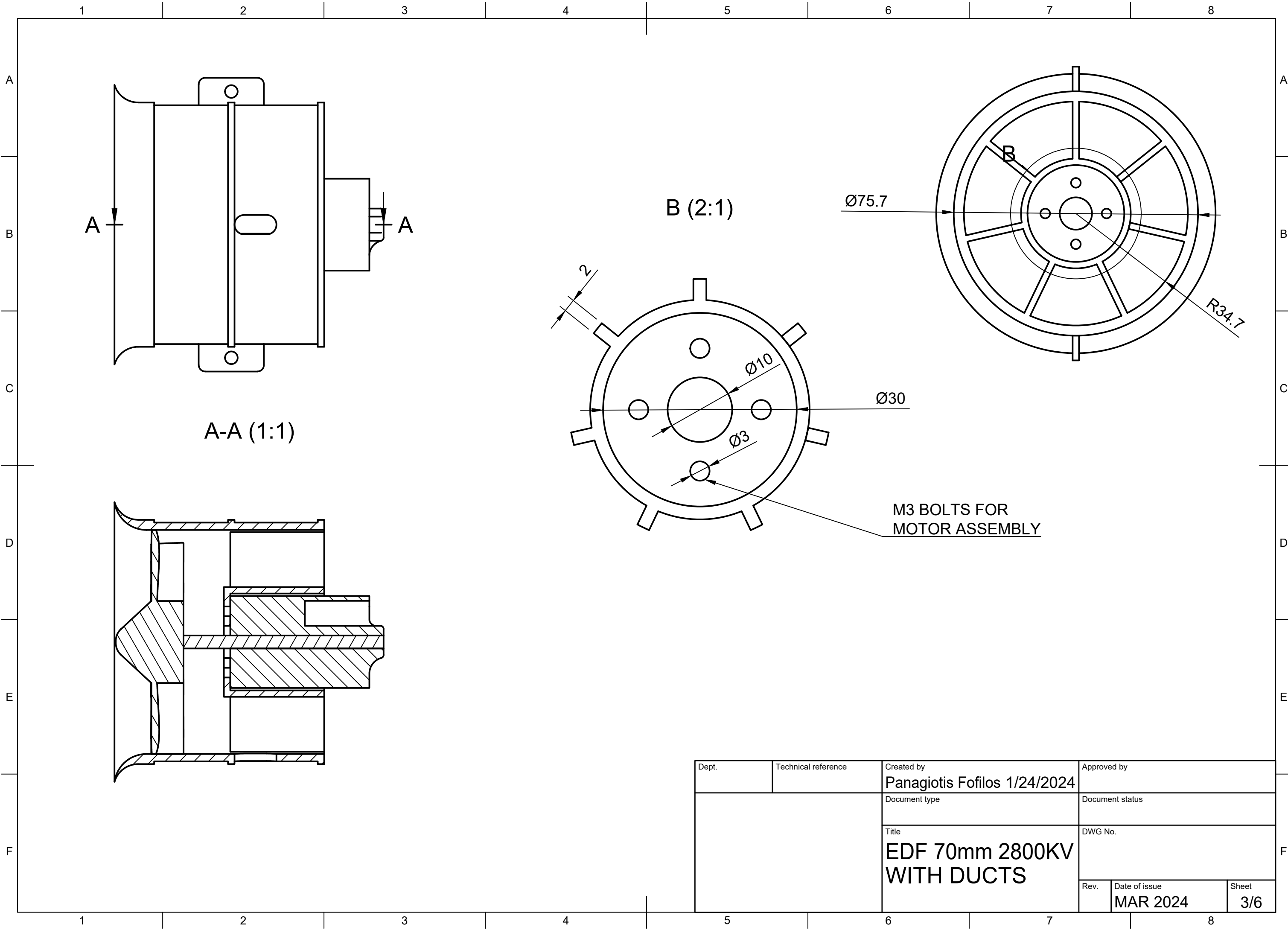


ELECTRIC MOTOR

M4 BOLT HOLE

EDF CABLES ACCESS HOLE

Dept.	Technical reference	Created by Panagiotis Fofilos 1/24/2024	Approved by	
		Document type	Document status	
		Title EDF 70mm 2800KV WITH DUCTS	DWG No.	
Rev.	Date of issue MAR 2024		Sheet 2/6	



1

2

3

4

5

6

7

8

A

A

B

B

C

C

D

D

E

E

F

F

A

A

A-A (1:1)

B (2:1)

Ø75.7

R34.7

Ø30

Ø10

Ø3

2

M3 BOLTS FOR MOTOR ASSEMBLY

Dept.	Technical reference	Created by Panagiotis Fofilos 1/24/2024	Approved by	
		Document type	Document status	
		Title EDF 70mm 2800KV WITH DUCTS	DWG No.	
Rev.	Date of issue MAR 2024	Sheet 3/6		

1

2

3

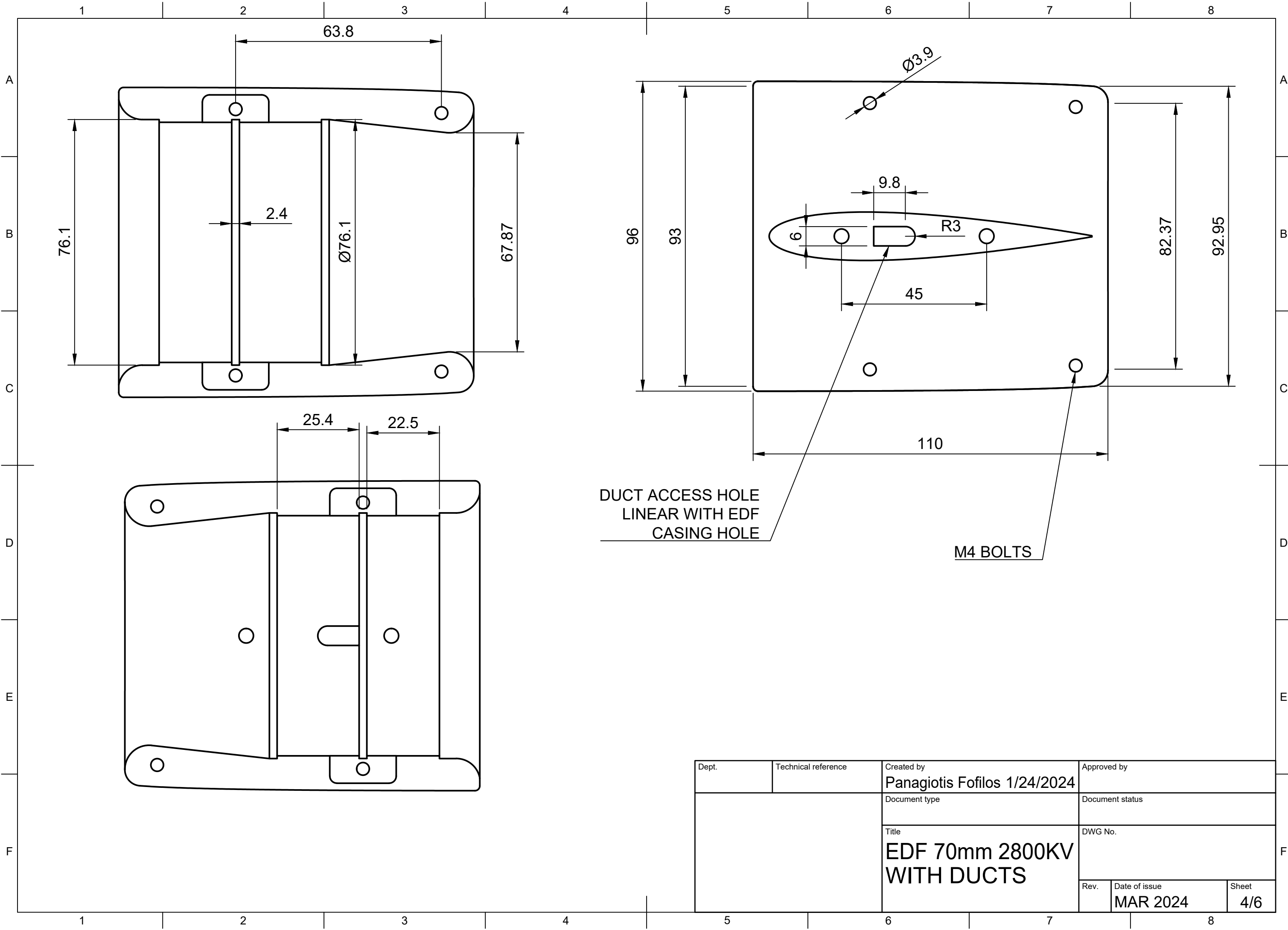
4

5

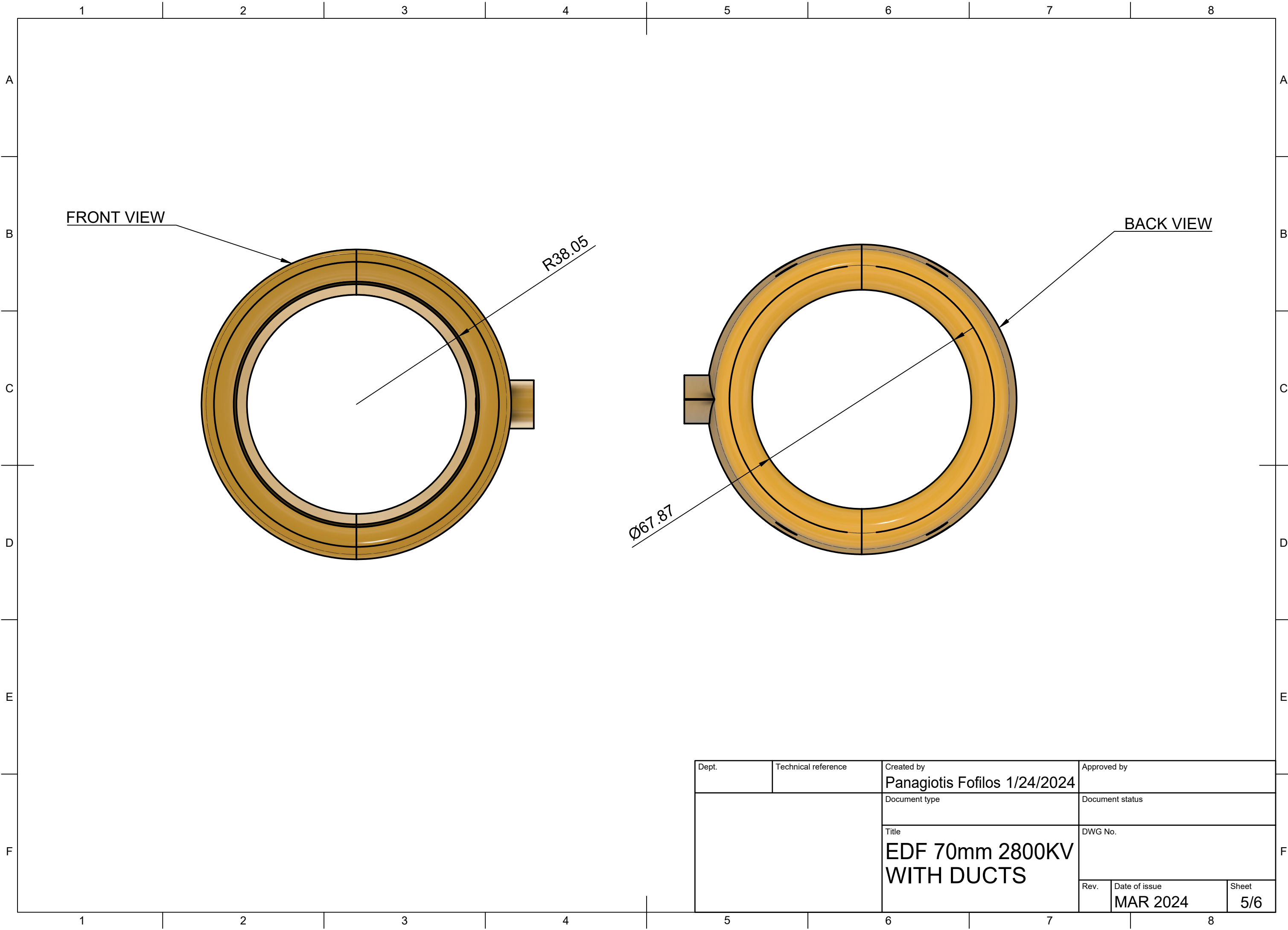
6

7

8



Dept.	Technical reference	Created by Panagiotis Fofilos 1/24/2024	Approved by	
		Document type	Document status	
		Title EDF 70mm 2800KV WITH DUCTS	DWG No.	
Rev.	Date of issue MAR 2024		Sheet 4/6	



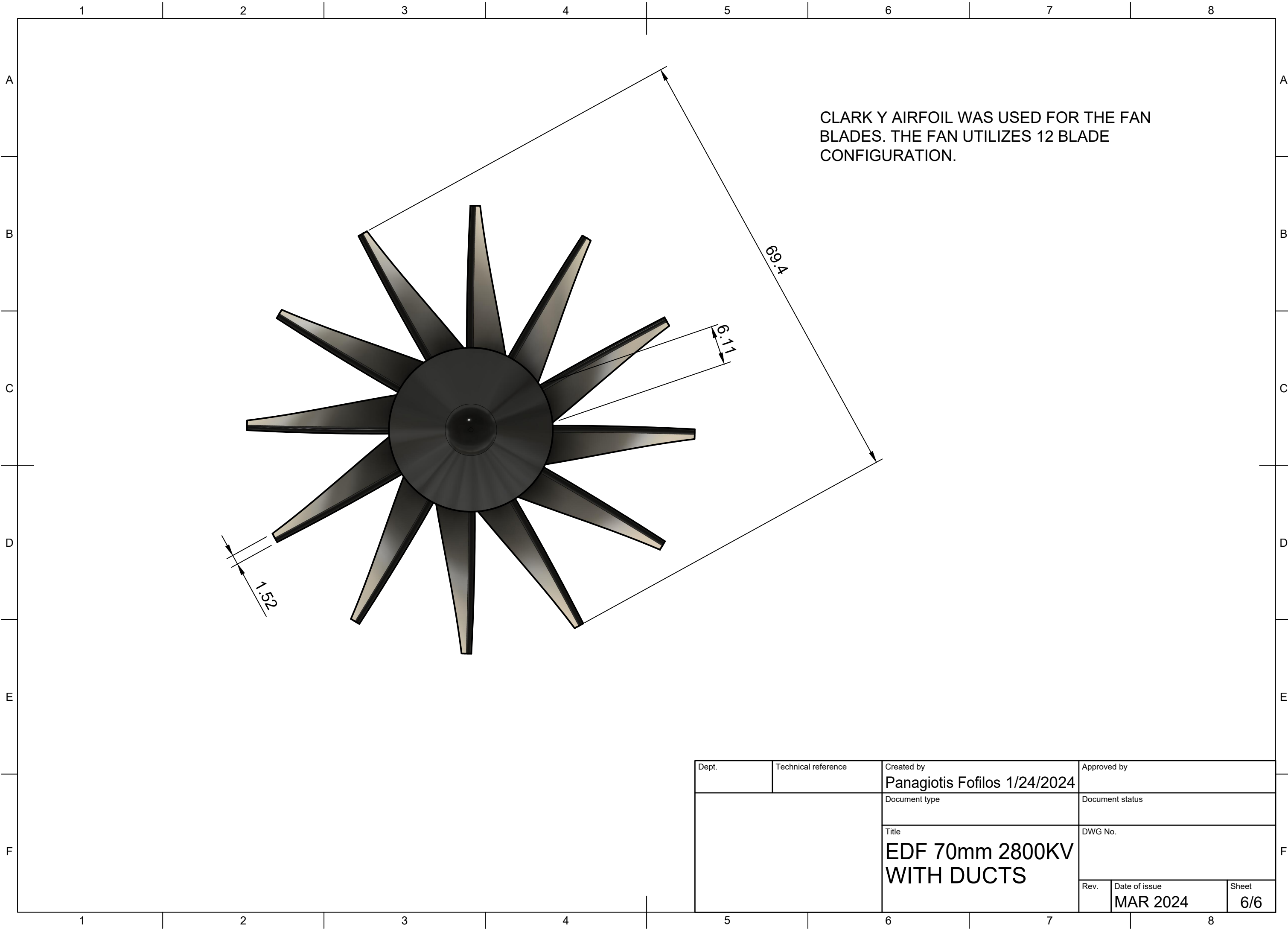
FRONT VIEW

BACK VIEW

R38.05

Ø67.87

Dept.	Technical reference	Created by Panagiotis Fofilos 1/24/2024	Approved by
		Document type	Document status
		Title EDF 70mm 2800KV WITH DUCTS	
		Rev.	Date of issue MAR 2024
		Sheet 5/6	



Dept.	Technical reference	Created by Panagiotis Fofilos 1/24/2024	Approved by	
		Document type	Document status	
		Title EDF 70mm 2800KV WITH DUCTS	DWG No.	
		Rev.	Date of issue MAR 2024	Sheet 6/6