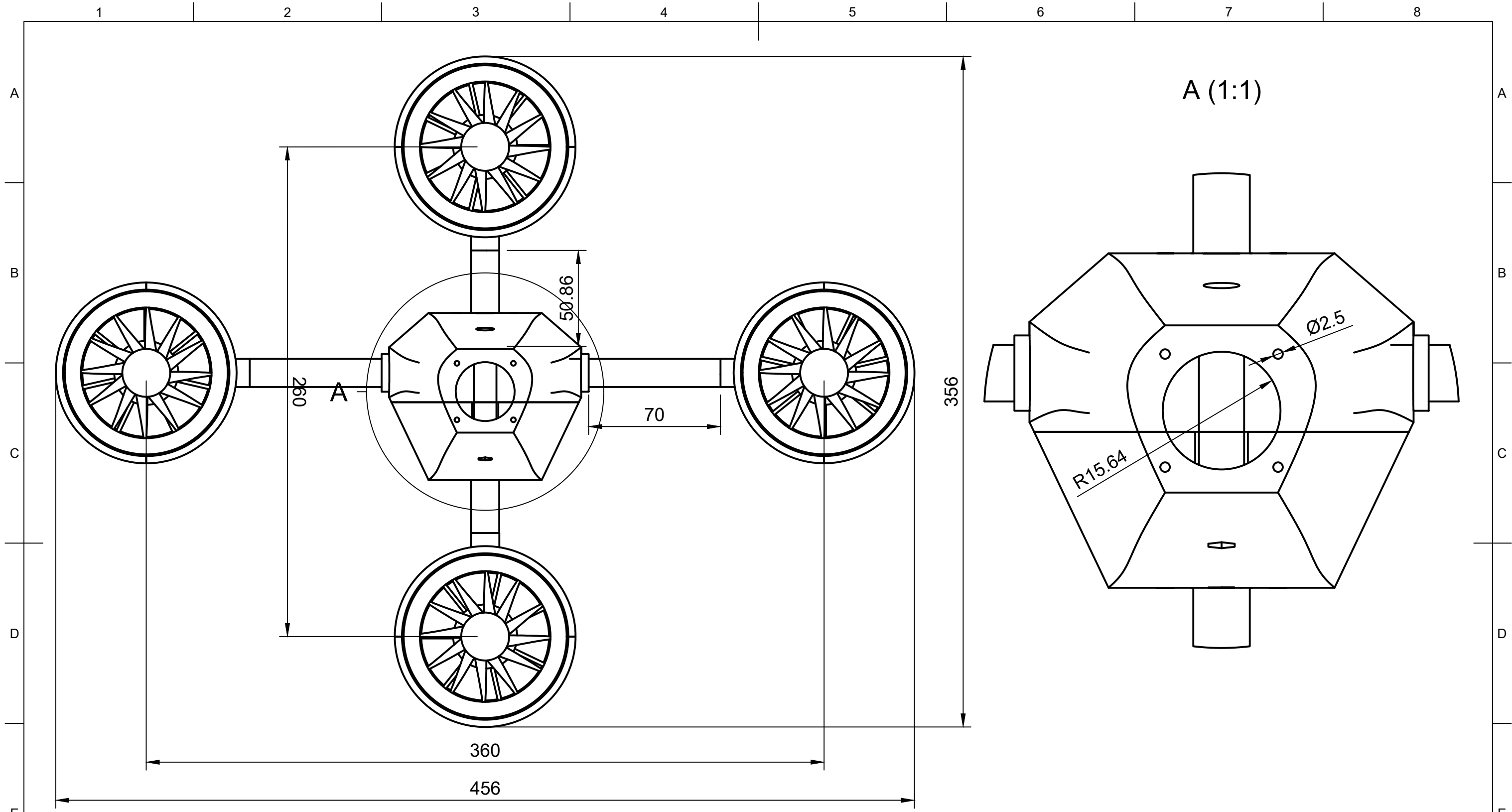
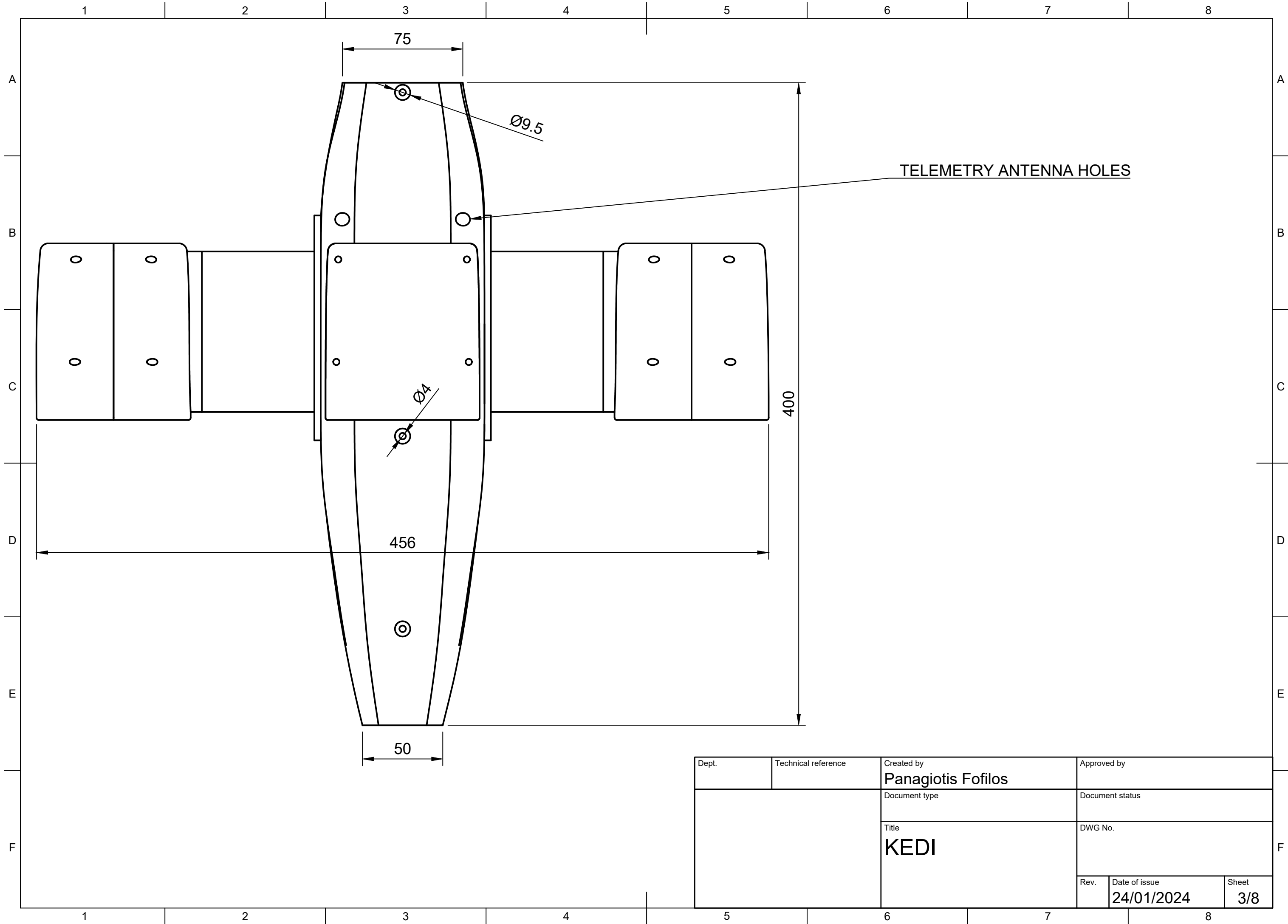


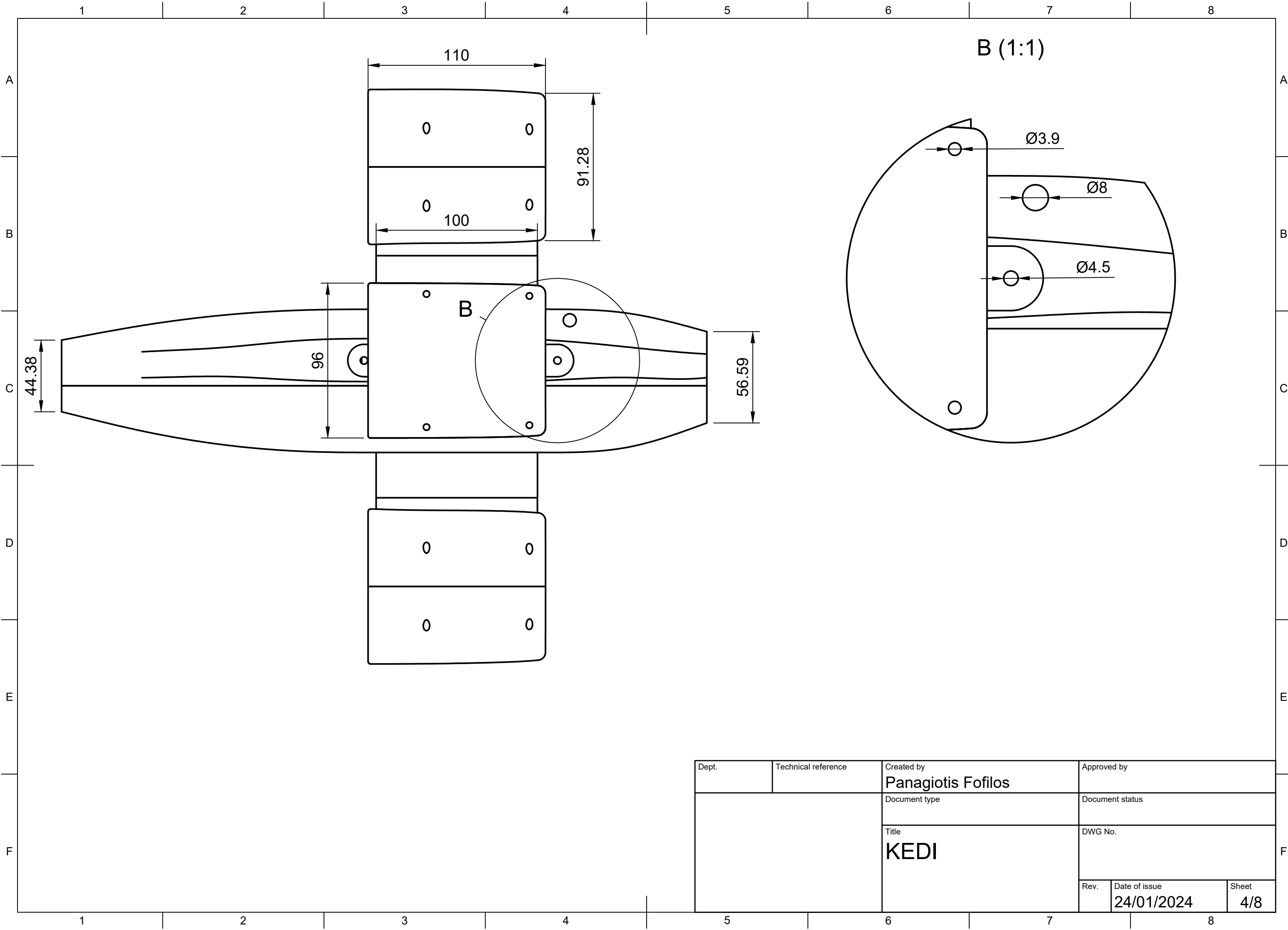
Dept.	Technical reference	Created by Panagiotis Fofilos	Approved by	
		Document type	Document status	
		Title KEDI	DWG No.	
		Rev.	Date of issue 24/01/2024	Sheet 1/8



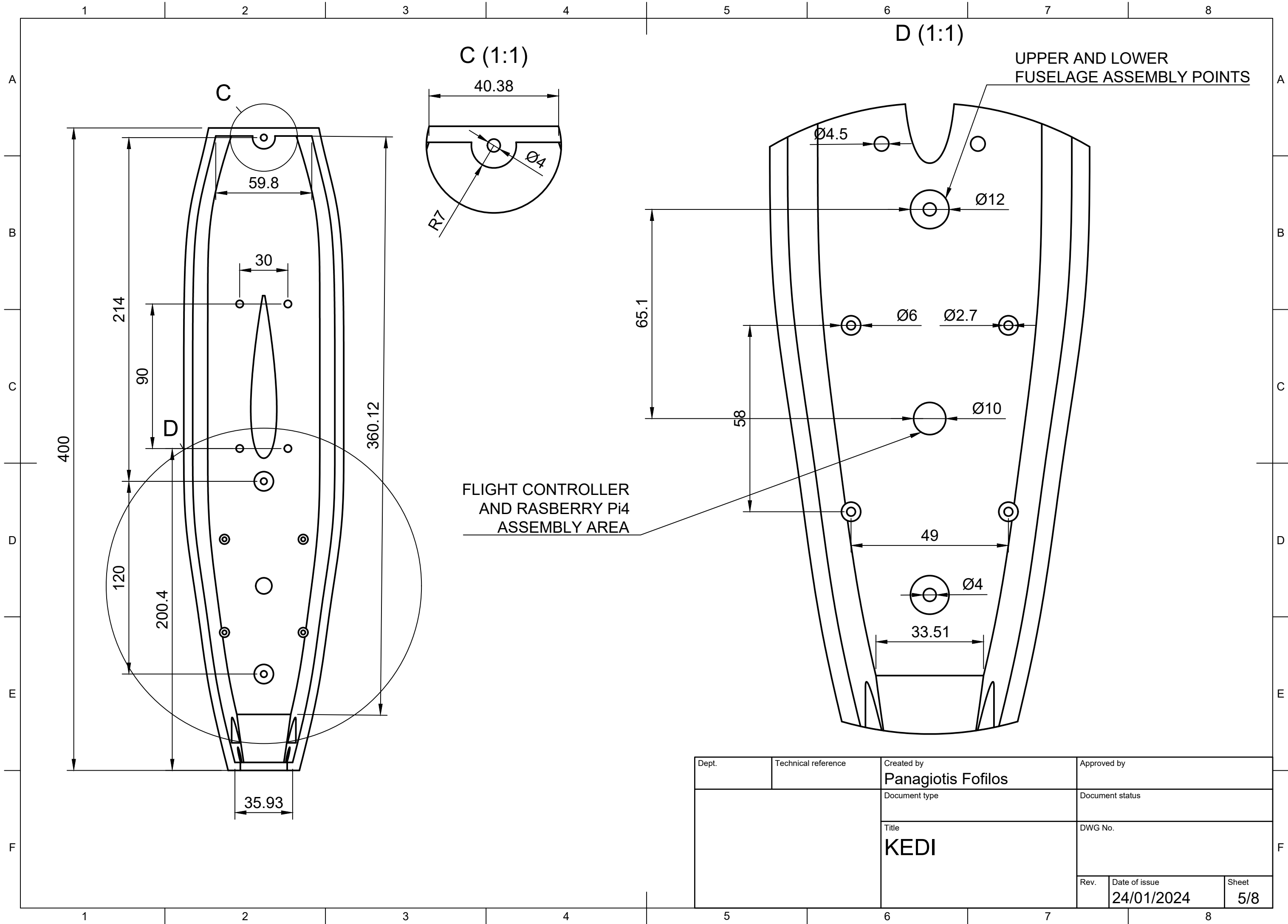
Dept.	Technical reference	Created by Panagiotis Fofilos	Approved by
		Document type	Document status
		Title KEDI	DWG No.
		Rev.	Date of issue 24/01/2024
		Sheet 2/8	



Dept.	Technical reference	Created by Panagiotis Fofilos	Approved by
		Document type	Document status
		Title KEDI	DWG No.
Rev.	Date of issue 24/01/2024	Sheet 3/8	



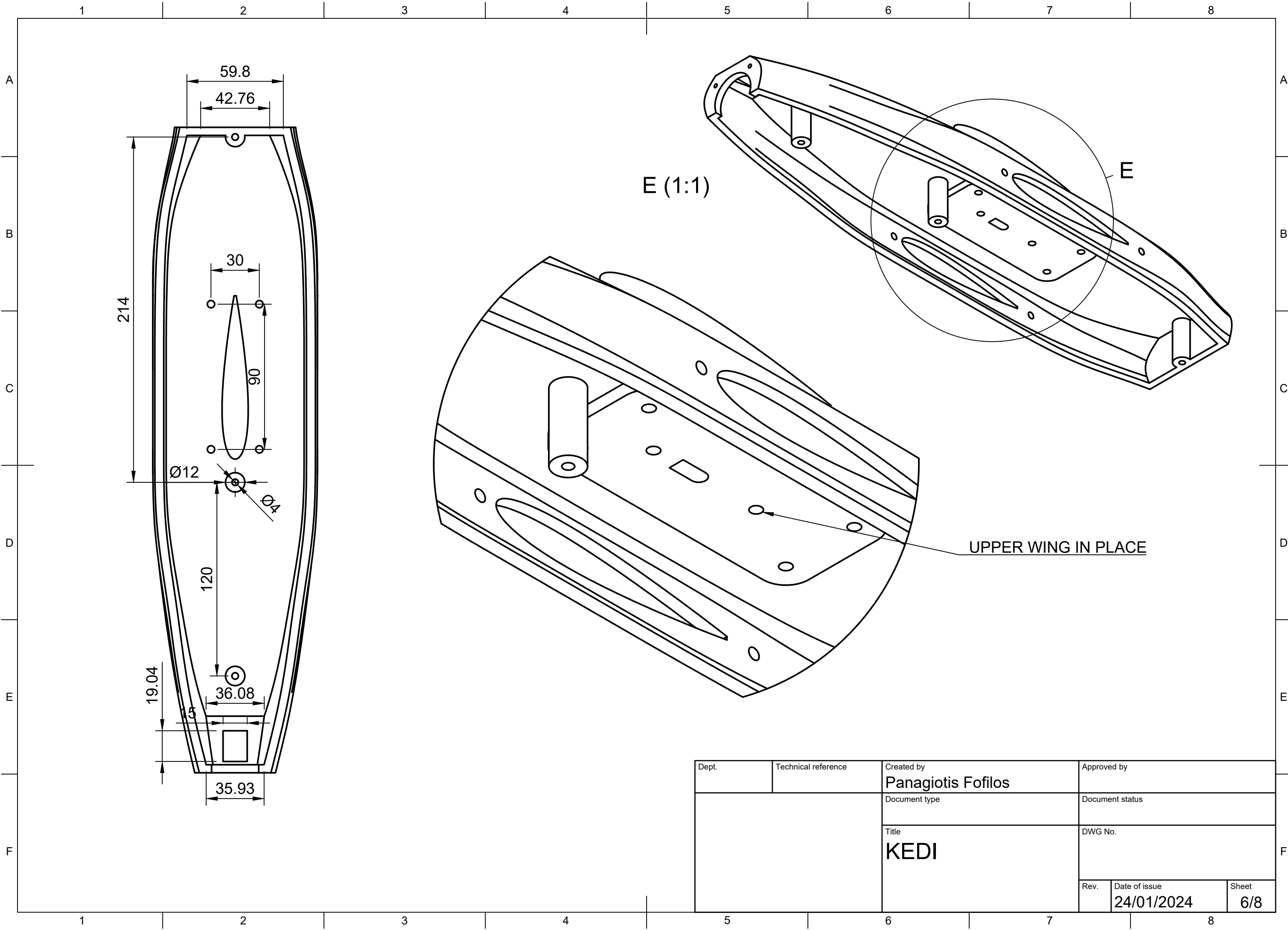
Dept.	Technical reference	Created by Panagiotis Fofilos	Approved by
		Document type	Document status
		Title KEDI	DWG No.
	Rev.	Date of issue 24/01/2024	Sheet 4/8



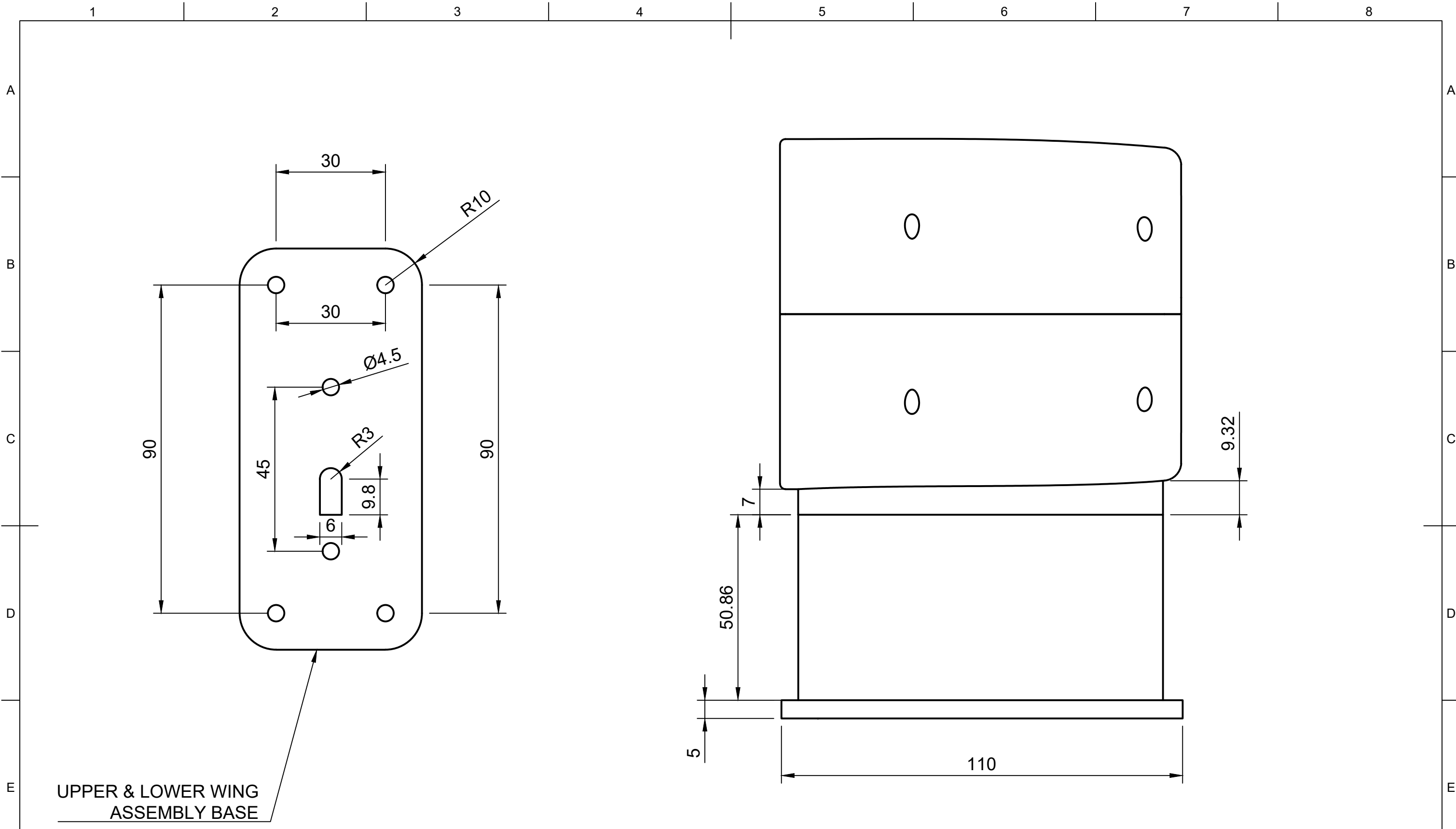
FLIGHT CONTROLLER
AND RASBERRY Pi4
ASSEMBLY AREA

UPPER AND LOWER
FUSELAGE ASSEMBLY POINTS

Dept.	Technical reference	Created by Panagiotis Fofilos	Approved by
		Document type	Document status
		Title KEDI	DWG No.
Rev.	Date of issue 24/01/2024	Sheet 5/8	

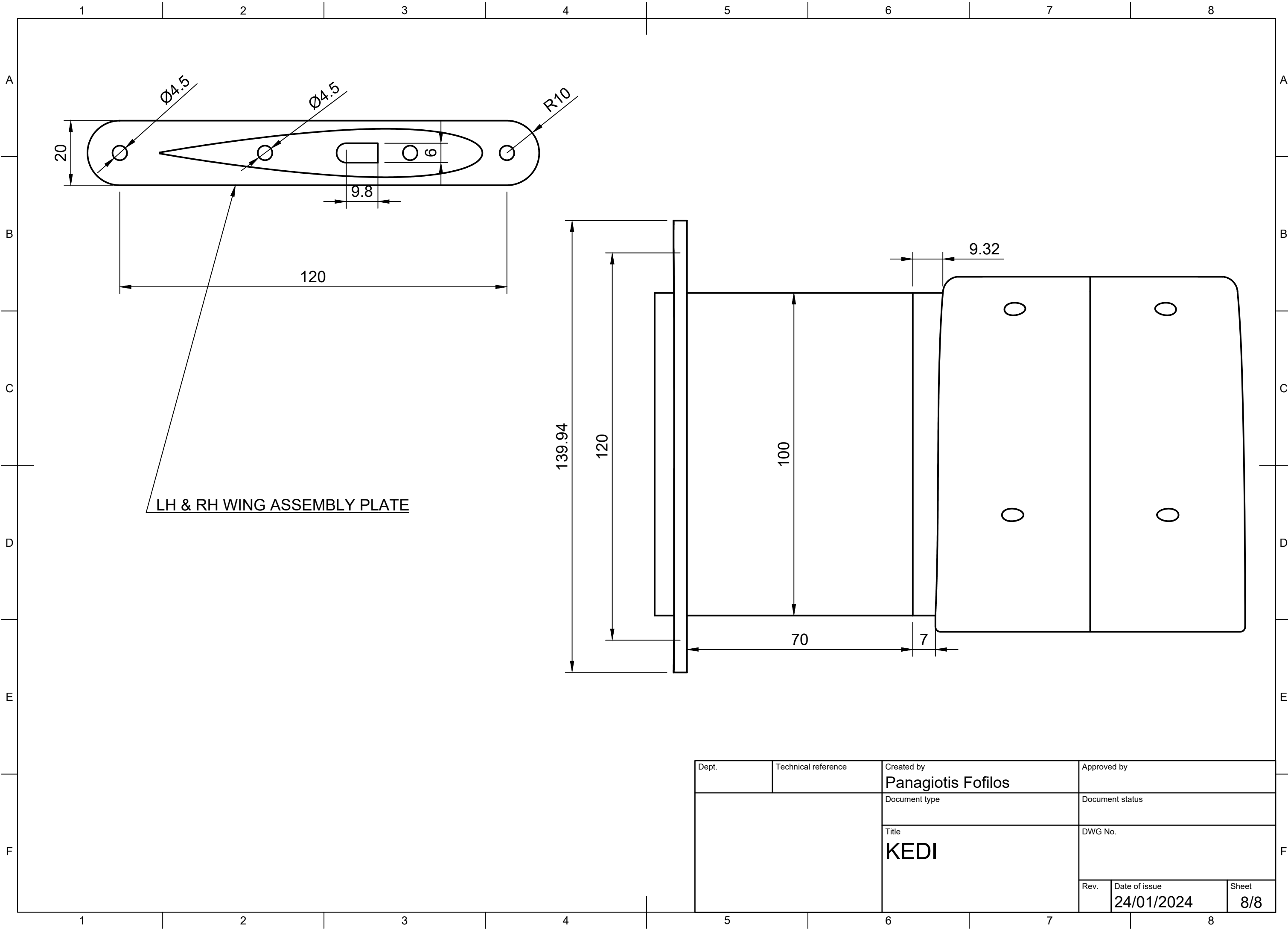


Dept.	Technical reference	Created by Panagiotis Fofilos	Approved by
		Document type	Document status
		Title KEDI	DWG No.
Rev.	Date of issue 24/01/2024	Sheet 6/8	



UPPER & LOWER WING
ASSEMBLY BASE

Dept.	Technical reference	Created by Panagiotis Fofilos	Approved by
		Document type	Document status
		Title KEDI	DWG No.
Rev.	Date of issue 24/01/2024	Sheet 7/8	



LH & RH WING ASSEMBLY PLATE

Dept.	Technical reference	Created by Panagiotis Fofilos	Approved by
		Document type	Document status
		Title KEDI	DWG No.
Rev.	Date of issue 24/01/2024	Sheet 8/8	